



## **NEO.E110/e220**

- 60kN clamp force + electric injection unit with screw D25
- 1 pneum. Core
- 8x hotrunner control circuits
- EM67
- Special wear resistance for screw + barrel



## **NEO.E230/e620**

- 1100kN clamp force + electric injection unit with screw D32
- 2x hydr. cores + 1 pneum. Core
- 8x hotrunner control circuits
- EM67 + EM77



## **NEO.E110/e220**

- 2300kN clamp force + electric injection unit with screw D45
- 2x hydr. cores + 1 pneum. core
- 16x hotrunner control circuits + 2x hydr. cascades
- EM67 + EM73
- Special wear resistance for screw + barrel



## **NEO.E168c/e620 (available as from June 2024)**

- 1680kN clamp force + electric injection unit with screw D45
- 2x pneum. cores + 1x pneum. valve for mold + 1 pneumatic valve for plastification
- Flipping chute to separate bad parts under mold clamping device
- EM67 + EM77 1-3 + remote maintenance
- Special wear resistance for screw + barrel



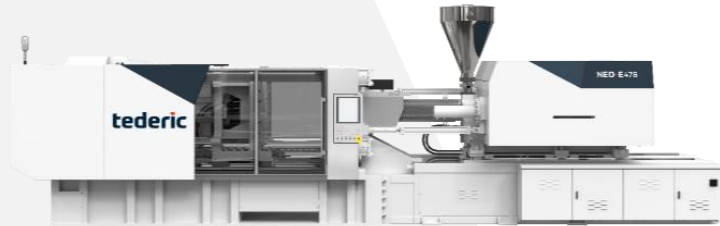
## **NEO.E208c/e840**

- 2080kN clamp force + electric injection unit with screw D50
- 2x hydr. cores + 1 pneum. Core
- 16x hotrunner control circuits
- EM67



## **NEO.E328c/e1400**

- 3280kN clamp force + electric injection unit with screw D60
- 2x hydr. cores + 1 pneum. core
- 16x hotrunner control circuits + 8x hydr. Cascades
- EM67
- Special wear resistance for screw + barrel



## NEO.E478c/e2300

- 4780kN clamp force + electric injection unit with screw D70
- 2x2 hydr. cores + 1 pneum. core
- 32x hotrunner control circuits + 8x hydr. cascades
- EM67
- Special wear resistance for screw + barrel



## NEO.H550/i3800

- 5500kN clamp force + hydraulic injection unit with screw D85
- 2x2 hydr. cores + 1 pneum. Core
- 32x hotrunner control circuits + 8x hydr. cascades
- EM67
- Special wear resistance for screw + barrel



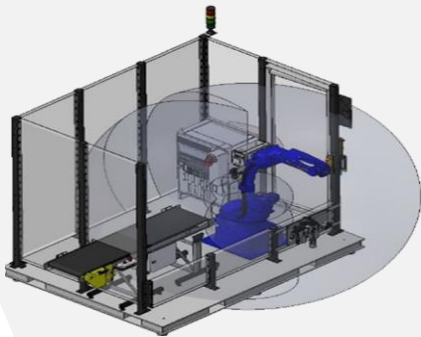
## NEO.H680/i4800

- 6800kN clamp force + hydraulic injection unit with screw D90
- 2x2 hydr. cores + 1 pneum. Core
- 32x hotrunner control circuits + 8x hydr. cascades
- EM67
- Special wear resistance for screw + barrel



## NEO.T120/i510

- 1200kN clamp force + hydraulic injection unit with screw D42
- 2x hydr. cores + 1 pneum. Core
- 8x hotrunner control circuits + 2x hydr. cascades
- EM67



## Robot Yaskawa GP 12

- Robot cell, like shown on picture
- Incl. robot console
- Incl. safety fence
- Incl. conveyor belt

**INTERESTED** IN ANY  
OF OUR MACHINES/ROBOTS?

---

**PLEASE CONTACT PLASTIVATION  
SALES TEAM  
SALES@PLASTIVATION.COM**